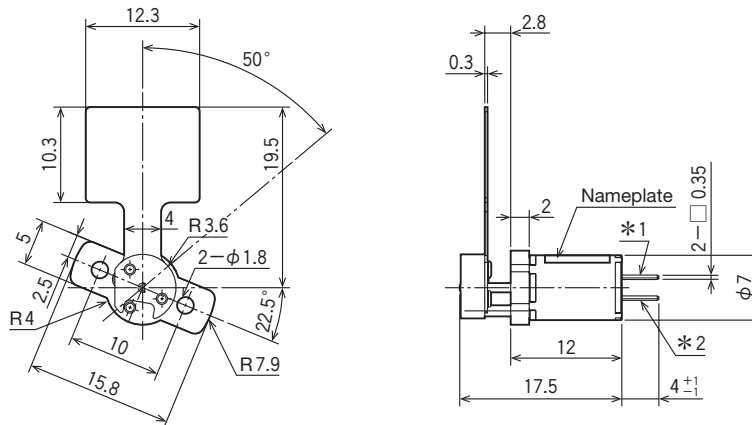


◆ Main Specifications

Heat-Resistant Class	Class E (120 °C)	
Rated Voltage	3 (V DC)	
DC Resistance	9.5 (Ω)	
Coil Saturation Temperature Rise $\Delta\theta_s$ (at 20 °C)	$\Delta\theta_s \doteq 59 \times W$ (°C) $K \doteq 59$ (°C/watt)	
Temperature Rise Time Constant τ	1 minute	
Mass	4 (g)	
Shutter Dimensions	12.3 × 10.3 (mm)	
Operating Angle	50 (°)	
Life Cycle/Durability	5,000,000 (cycles)	
Response Speed	with Applied Voltage 3V DC	18 (ms) or less
	with Applied Voltage 5V DC	13 (ms) or less
	with Applied Voltage 12V DC	8 (ms) or less



◆ External Dimensions (mm)



- In this diagram, the shutter is shown magnetically latched to the counterclockwise side.
- When a positive electrode is connected to *1 and a negative to *2, the shaft rotates counter-clockwise; when a negative electrode is connected to *1 and a positive to *2, the shaft rotates clockwise.

◆ How to Mount

