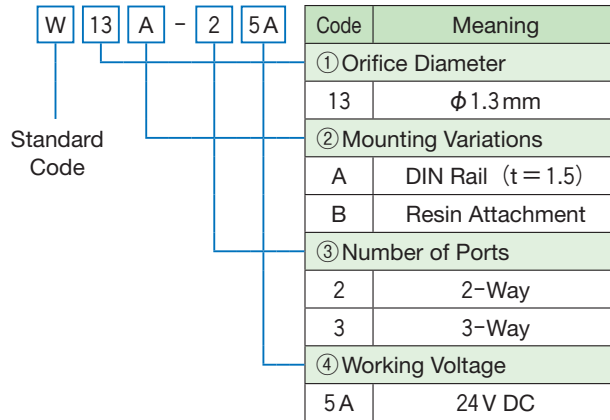


### ◆ Main Specifications

Model Number *1	2×2-Way	3-Way
	W 13X-25A	W 13X-35A
Valve Type	Diaphragm Type Direct Operated Poppet	
Valve Operation	NC (Normally Closed)	
Fluid	Water, Pure Water, Chemicals *2	
Operating Pressure Range	-75 ~ 250 (kPa)	
Compatible Tube Diameter	2 (mm)	
Proof Pressure	375 (kPaG)	
Fluid Temperature	0 ~ 50 (°C)	
Ambient Temperature	0 ~ 50 (°C)	
Ambient Humidity	30 ~ 85 (%)	
Flow Factor Cv	0.03	
Orifice Diameter	1.3 (mm)	
Volume of Valve Chamber	20 (μℓ)	
Enclosure	IP 40 or equivalent	
Mounting Orientation	at will	
Mass	85 (g)	
Operating Noise	60 (dB)	
Life Cycle/Durability *3	10,000,000 (cycles)	
Material for Wetted Parts	Body: PEEK	
	Diaphragm: FKM	
<b>Electrical Specifications</b>		
Working Voltage	24 (V DC)	12 (V DC)
Allowable Voltage Fluctuation	±10 (%)	
Power Consumption	At Startup: 3 (W)	
	Steady-State: 1 (W)	
Heat-Resistant Class	Class F (155 °C)	

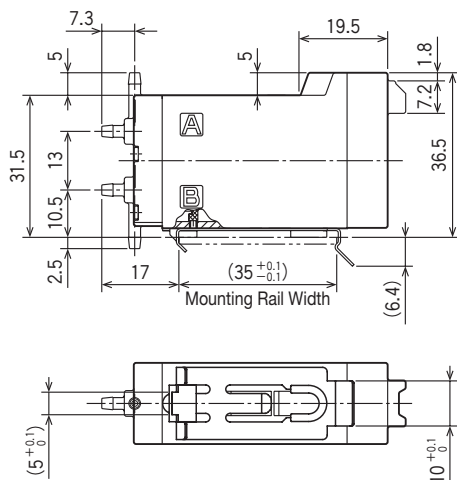
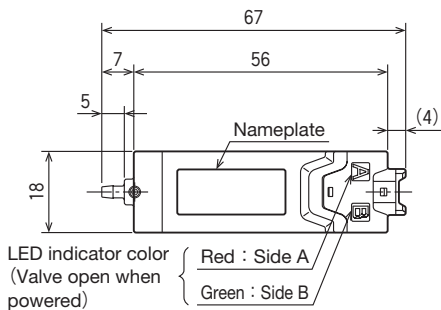
### ◆ Model Number Key



- \* 1: the "X" portion represents this model's installation variations. Please choose between A or B (see previous page).
- \* 2: please use chemicals that do not corrode the materials used in the wetted part of the valve.
- \* 3: measured by Takano Co. in a standard testing environment.

### ◆ External Dimensions (mm)

〈W 13A-25A〉



### Terminal Specifications

Contacts : SXA-001 T-P0.6 (JST)  
 Housing : XAP-03V-1 (JST)

〈W 13A-35A〉

