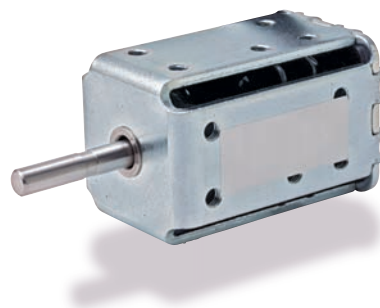


TSBP-09BN1 (Single-Sided Latching Model)

Latching Solenoids

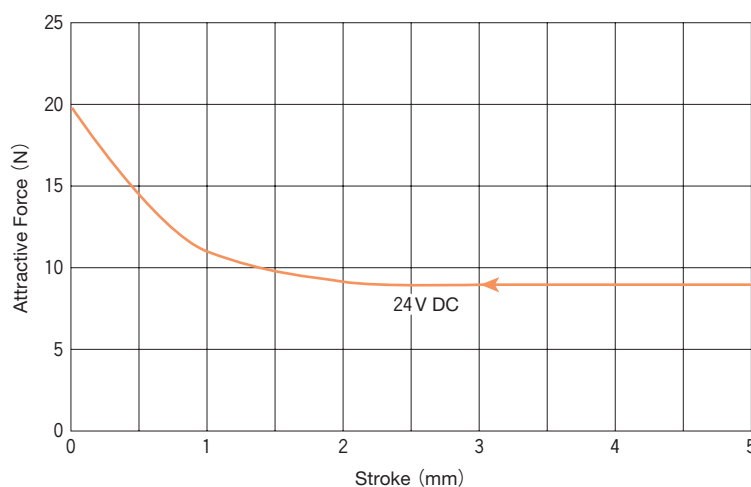
◆ Main Specifications

Working Voltage	24 (V DC)
DC Resistance	Pulling Side 10.5 (Ω), Return Side 14 (Ω)
Coil Saturation Temperature Rise $\Delta\theta_s$ (at 20°C)	$\Delta\theta_s \doteq 12 \times W$ (°C) $K \doteq 12$ (°C/watt)
Temperature Rise Time Constant τ	5 (minutes)
Heat-Resistant Class	Class E (120°C)
Insulation Resistance	500V DC MEGA, 100 MΩ or more
Dielectric Strength	1000V AC, 50/60 Hz, 1 minute
Mass	100 (g)
Non-Excited Holding Force	20 (N) or more
Response Speed *1	6 (ms)



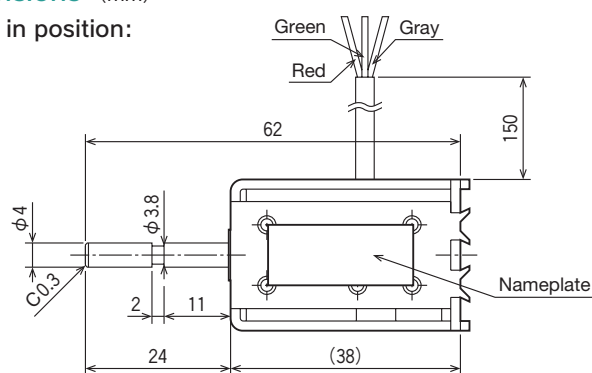
* 1: measurement conditions: measured by Takano Co. in a standard testing environment, with no load, shaft in a horizontal position, applied voltage 24V DC.

◆ Attractive Force Data



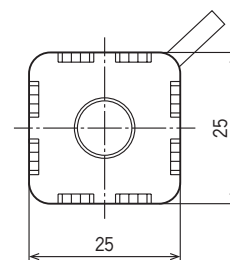
◆ External Dimensions (mm)

With shaft held in position:

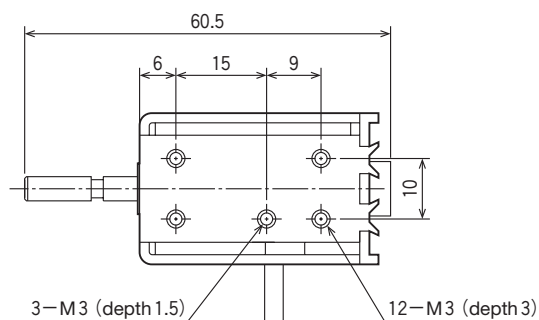


Terminal Specifications

Lead Wire Length (mm) : 300
AWG Size : 26



With shaft released:



Regarding Your Order

Bi-stable Rotary Solenoids

Driver Board for Bi-stable Rotary Solenoids

Step Rotary Solenoids

Latching Solenoids

Compact 2-Way/3-Way Solenoid Valves for Chemical Liquids

Generic 2-Way/3-Way Solenoid Valves

Pinch Valves

Bi-stable Rotary Optical Shutters

Linear Optical Shutter

Electro-magnets