

## Proportional Solenoid Valves

# PSV-01T Series



### ■ Target Fluid

**Gas** N<sub>2</sub>, Air, H<sub>2</sub>, He, Ar, O<sub>2</sub>, CO<sub>2</sub>

### ■ Product Features

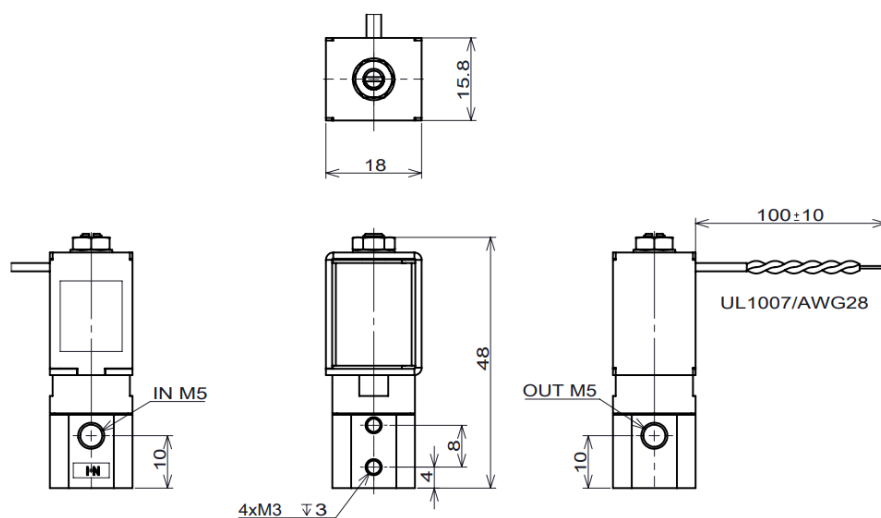
- Compact and Lightweight Design  
Dimensions: 15.8 x 18 x 48 mm (H),  
Weight: 70g
- Low Valve Leakage Specifications

### ■ Standard Specifications

Model No.	PSV-01T-020	PSV-01T-120	PSV-01T-220
Orifice Diameter	0.2mm	1.2mm	2.2mm
Max. Cv Value	0.001	0.03	0.05
Valve Type	Direct-acting Solenoid Valve		
Operation Type	Normally Closed (N.C.)		
Applicable Fluid	Non-corrosive gases: Air, O <sub>2</sub> , N <sub>2</sub> , H <sub>2</sub> , He, CO <sub>2</sub> , Ar, etc.		
Wetted Parts Material (Gas)	SUS316L / Brass / Magnetic SUS / FKM		
Valve Seal Material	FKM		
Body Material	Brass *SUS specifications available upon request.		
Operating Ambient Temperature	0 ~ 50°C		
Mounting Orientation	Any direction (Coil upward recommended)		
Port Size	M5		
Insulation Class	Class E (120°C)		
Rated Voltage	12/24V		
Coil Resistance	70Ω (12V) / 200Ω (24V)		
Control Current Range	0~135mA (12V) / 0~90mA (24V)		
Pressure Resistance	1.0MPa		
Operating Differential Pressure	~0.6MPa	~0.35MPa	~0.15MPa
Valve Leakage	0.1 cc/min or less		

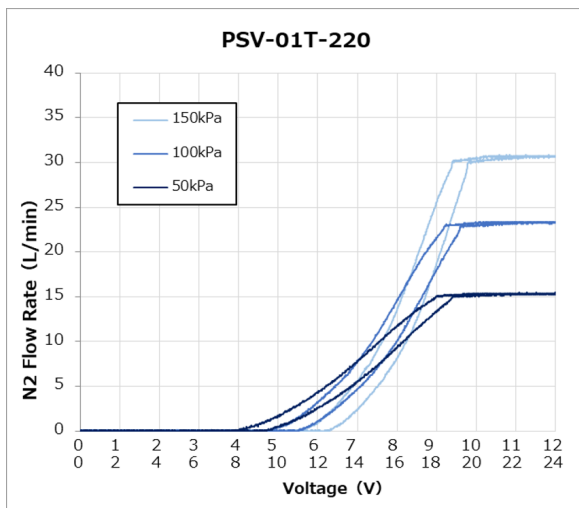
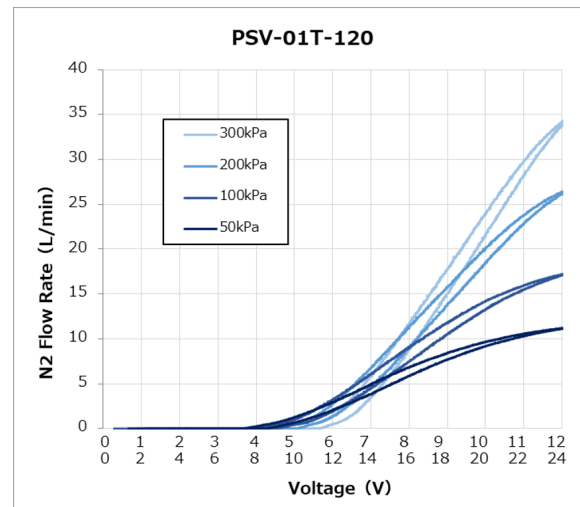
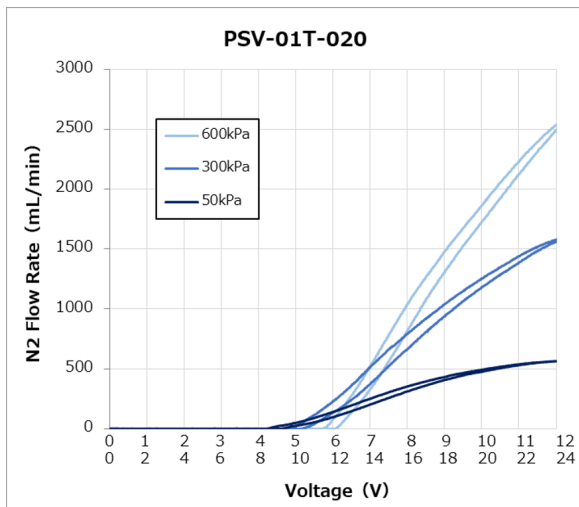
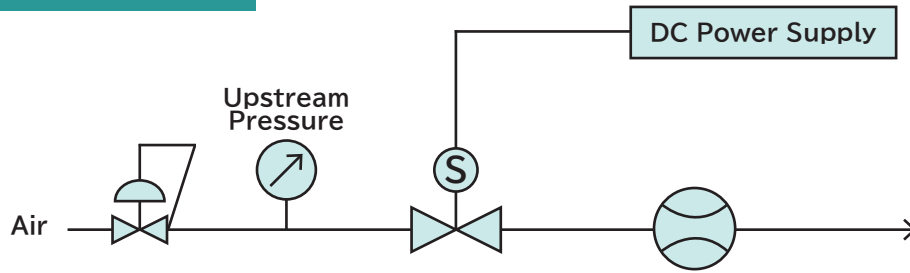
\*Note: The orifice diameter can be customized to match your desired control flow rate.  
Please feel free to contact us for more information.

### ■ External Dimension Drawing

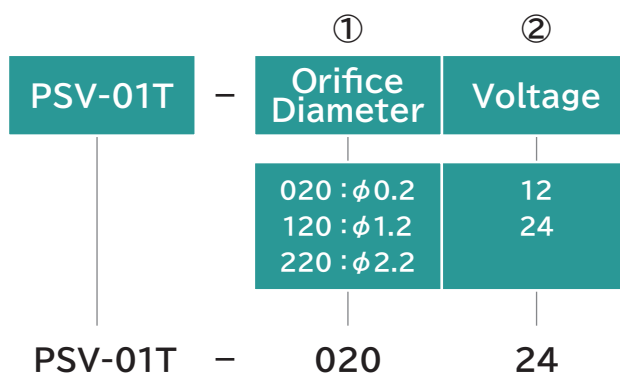


## Flow Characteristics

### Measurement Process



## Model selection



\*Note: The orifice diameter, material of gas-contacting parts, and fitting shape can be customized to meet your requirements. Please feel free to contact us.